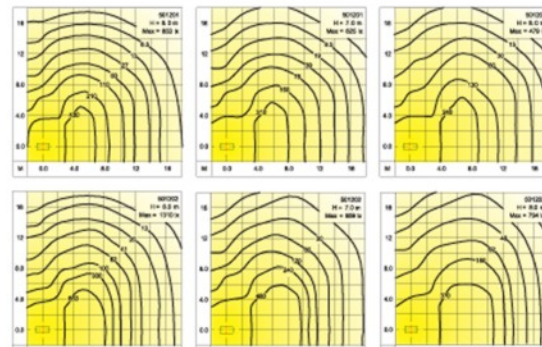
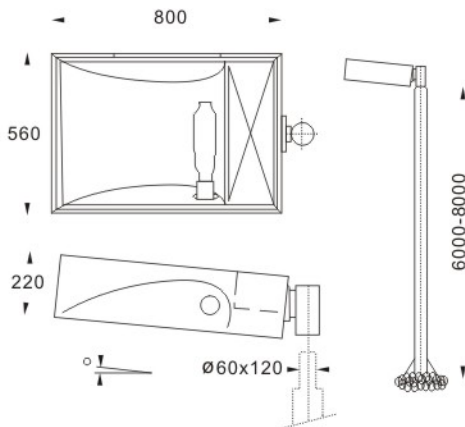
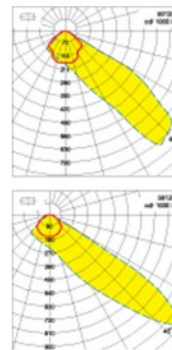


Tennis Court Luminaires

IP54 Dustproof and Splashproof conforming to DIN, VDE, IEC Class1.

Vinic Tennis court light system provides optimum lighting performance and uniformity on every part of the court. Using the sharp cut-off luminaires design will eliminate harsh glare and annoying light pollution onto the adjacent areas. Combining the distinctive styling and lighting control excellence with cost effective and energy efficient, the system can readily be installed on any new or existing court.

- Corrosion resistant aluminum alloy body
- Thermal shock resistant safety glass lens in a hinged aluminum frame.
- Stainless steel fasteners
- Weatherproof and durable silicon rubber gasket
- Excellent high performance asymmetric anodized purity aluminum reflector chemically brightened
- Integral control gear
- Ultraviolet stabilized polyester powder coat finish in Green RAL 6005.



			Lumen
501201	Metal halide	E40: T-1000W	80000
501202	High pressure sodium	E40: T-1000W	130000