

# RECESSED LED DOWNLIGHT

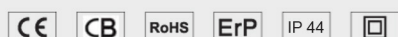


ZEN ILLUMINATION PTE LTD

3 Ang Mo Kio Street 62, #03-23/24 LINK @ AMK , Singapore 569139

Tel : (65) 6287 7718, Fax : (65) 6383 1108, enquiry@zen-illumination.com, www.zen-illumination.com

# RECESSED LED DOWNLIGHT



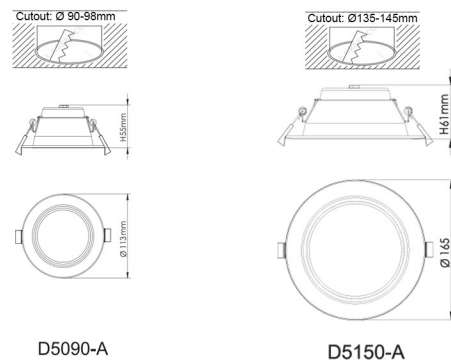
Pre-settable CCT: 3000K, 4000K, 6000K

## LUMINAIRES SPECIFICATIONS

Model No.	ECCO D5090-A (10W) ECCO D5150-A (18W) ECCO D5205-A (30W)
Fitting Material	Die-cast aluminum housing material, white color epoxy powder coated finish, aluminum heat sink.
Ingress Protection	IP44
Input Voltage	AC220-240V
Power Frequency	50 / 60Hz
Optical Cover	Anti glare polycarbonate diffuser
Beam Angle	96°
Dimension	As shown photo (mm)
Power Supply	Remote electronic LED driver, Optional :Triac / 1-10V / Dali driver available

## APPLICATION

Many commercial, residential, and industrial building such as corridors, lift lobbies, reception, classrooms, offices, entrance halls, shopping centres etc....

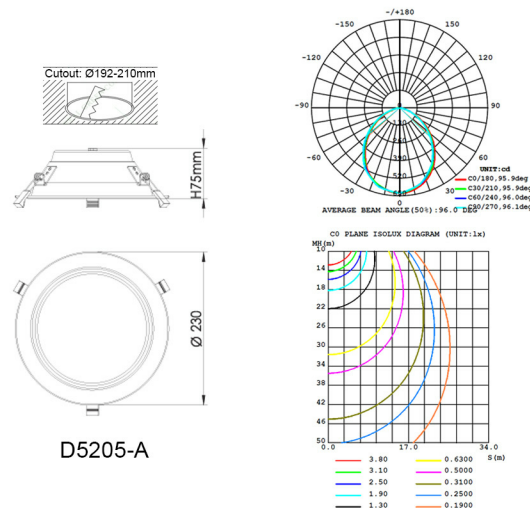


D5090-A

D5150-A

## LED MODULE SPECIFICATIONS

Color Temperature	Pre-settable 3000K , 4000K , 6000K
Lifetime L70	48000hrs
Color Rendering Index	80Ra
Lumen	10W (780lm-850lm) 18W (1440lm-1550lm) 30W (2610lm-2820lm)



D5205-A

ZEN ILLUMINATION PTE LTD

3 Ang Mo Kio Street 62, #03-23/24 LINK@AMK, Singapore 569139

Tel : (65) 6287 7718, Fax : (65) 6383 1108, enquiry@zen-illumination.com, www.zen-illumination.com