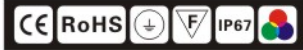
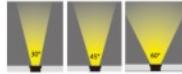
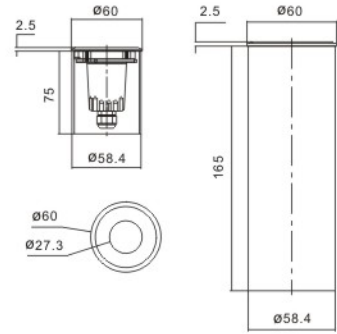


# Outdoor Lighting In-Ground Light Series



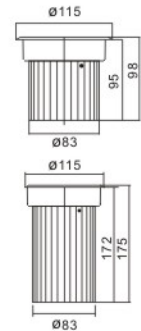
	HM211W01	HM211W02
Light Source Power	LED 1×1W	LED 1×3W
Max Power	2W	4.5W
CCT	Warm/Cool White/Neutral/ & RGB	Warm/Cool White/Neutral/ & RGB
Lumen	67Lm(3000K)	200Lm
CRI	Ra≥75	Ra≥75
Beam angle	30°/40°/60°	30°/40°/60°
Adjustable	Fix	Fix
Voltage	220-240V 50/60Hz	220-240V 50/60Hz
Light Source	Epistar LED Chip	Epistar LED Chip



Structure: High pressure die-cast aluminum housing and recessed kit. 12mm thickness tempered glass. Silicon waterproof gasket.



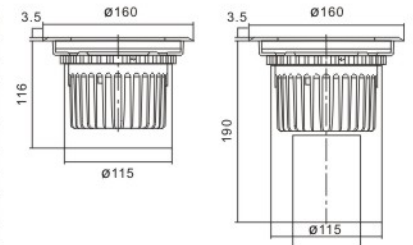
	HM221W01	HM221W02	HM221W03
Light Source Power	LED 3×1W	LED 3×3W	LED 3×2W
Max Power	4.5W	12W	8W
CCT	Warm/Cool White/Neutral/ & RGB	Warm/Cool White/Neutral/ & RGB	Warm/Cool White/Neutral/ & RGB
Lumen	216Lm(3000K)	650Lm(3000K)	433Lm(3000K)
CRI	Ra≥75	Ra≥75	Ra≥75
Beam angle	25°/45°/60°	25°/45°/60°	25°/45°/60°
Adjustable	Fix	Fix	Fix
Voltage	220-240V 50/60Hz	220-240V 50/60Hz	220-240V 50/60Hz
Light Source	Epistar LED Chip	Epistar LED Chip	Epistar LED Chip



Structure: High pressure die-cast aluminum housing and recessed kit. 12mm thickness tempered glass. Silicon waterproof gasket.



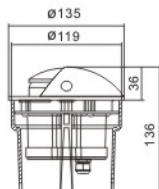
	HM231W01	HM231W02
Light Source Power	LED 9×1W	LED 9×2W
Max Power	12W	20W
CCT	Warm/Cool White/Neutral/ & RGB	Warm/Cool White/Neutral/ & RGB
Lumen	650Lm(3000K)	1260Lm(3000K)
CRI	Ra≥75	Ra≥75
Beam angle	15°/45°/60°	15°/45°/60°
Adjustable	Fix	Fix
Voltage	220-240V 50/60Hz	220-240V 50/60Hz
Light Source	Epistar LED Chip	Epistar LED Chip



Structure: High pressure die-cast aluminum housing and recessed kit. 12mm thickness tempered glass. Silicon waterproof gasket.



	HM323W01	HM323W02	HM323W03	HM323W04
Light Source Power	LED 1×1W/1×2W/1×3W	LED 1×1W/1×2W/1×3W	LED 1×1W/1×2W/1×3W	LED 1×1W/1×2W/1×3W
Max Power	2W/3W/4.5W	2W/3W/4.5W	2W/3W/4.5W	2W/3W/4.5W
CCT	Warm/Cool White/Neutral	Warm/Cool White/Neutral	Warm/Cool White/Neutral	Warm/Cool White/Neutral
Lumen	(4.5W=200Lm,3000K)	(4.5W=200Lm,3000K)	(4.5W=200Lm,3000K)	(4.5W=200Lm,3000K)
CRI	Ra≥75	Ra≥75	Ra≥75	Ra≥75
Beam angle	/	/	/	/
Adjustable	Fix	Fix	Fix	Fix
Voltage	220-240V 50/60Hz	220-240V 50/60Hz	220-240V 50/60Hz	220-240V 50/60Hz
Light Source	Epistar LED Chip	Epistar LED Chip	Epistar LED Chip	Epistar LED Chip



Structure: High pressure die-cast aluminum housing and recessed kit. 4mm thickness tempered glass. Silicon waterproof gasket.