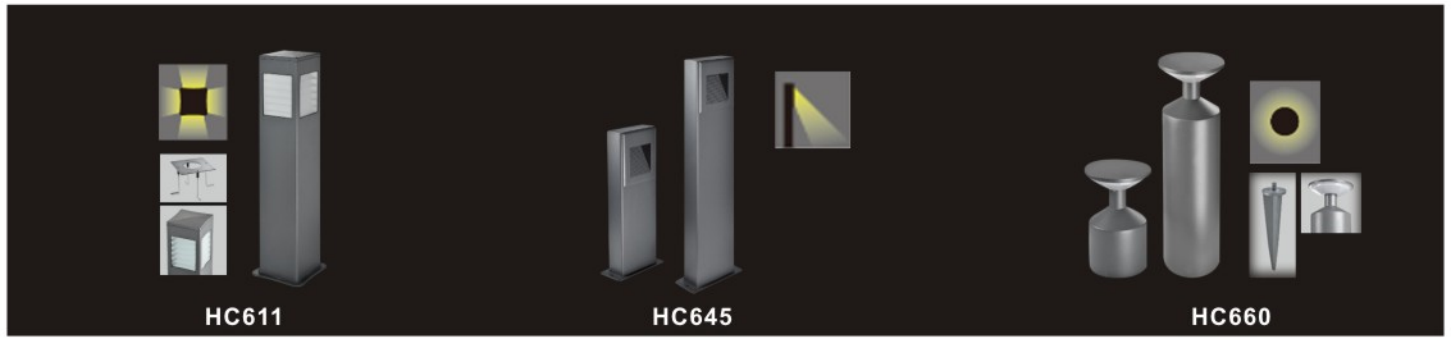
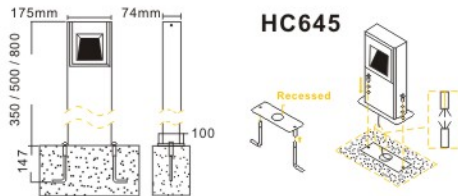
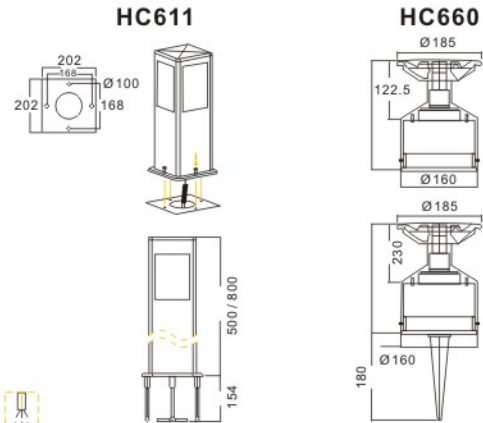


Bollard Series



Structure: High pressure die cast aluminum housing. Extruded aluminum pole. 3mm thickness tempered glass. Silicon waterproof gasket. Integral driver. Optical lens.

	HC611	HC645W01,HC645W02, HC645W03	HC660W01,HC660W02
Light Source Power	26W(Philips PL-C)	LED 3×1W / 3×2W / 3×3W	LED 6×1W / LED 6×1.5W
Max. Power	32W	4.5W / 8W / 12W	8W / 12W
CCT	Warm/Cool White/Neutral	Warm/Cool White/Neutral	Warm/Cool White/Neutral
Lumen	1800lm(26W/3000K)	(1800lm=4.5W,3000K) (360lm=8W,3000K) (600lm=12W,3000K)	(253lm=8W,3000K) (379lm=12W,3000K)
CRI	Ra≥75	Ra≥75	Ra≥80
Beam angle	/	/	/
Adjustable	Fix	Fix	Fix
Voltage	220-240V 50/60Hz	220-240V 50/60Hz	220-240V 50/60Hz
Light Source	Philips PL-C	Epistar LED Chip	Epistar LED Chip



Garden Light Series



Structure: High pressure die cast aluminum housing. Extruded aluminum pole. Silicon waterproof gasket. Galvanized steel recessed kit. stainless steel external screws.

	HY006	YLM-G45	YLM-G003	YLM-G004A
Rated power	LED 30W	CFL 45W,E27 HQI-E 70W,E27 HQI-E 150W,E27	CFL 45W,E27 HQI-E 70W,E27 HQI-E 150W,E27	CFL 45W,E27 HQI-E 70W,E27 HQI-E 150W,E27
CCT	Warm/Cool White/Neutral	Warm/Cool White/Neutral	Warm/Cool White/Neutral	Warm/Cool White/Neutral
Lumen	1200lm(30W/4000K)	(45W=3000lm),(70W=5100lm) (150W=12000lm)	(45W=3000lm),(70W=5100lm) (150W=12000lm)	(45W=3000lm),(70W=5100lm) (150W=12000lm)
CRI	Ra≥75	/	/	/
Beam angle	Wide Beam	Wide Beam	Wide Beam	Wide Beam
Adjustable	Fix	Fix	Fix	Fix
Voltage	220-240V 50/60Hz	220-240V 50/60Hz	220-240V 50/60Hz	220-240V 50/60Hz
Light Source	Cree LED Chip(CXA1816)	Energy Saving Lamp,HID	Energy Saving Lamp,HID	Energy Saving Lamp,HID

